



## #846

- Used to secure cable sheath, bonding ribbon, or ground wire to strand.
- The clamp has an internal self-seating compression plate to evenly distribute clamping pressure.
- Clamp includes a 1/2" x 1-1/2" square head machine bolt and 1/2-13 regular square nut.
- Outside "U" channel is formed from .187" x 1-1/2" gauge Steel.
- Internal self-seating compression plate is formed from .125" x 1/2" gauge Steel.
- Hot dip galvanized to meet ASTM Specification A153.
- Accommodates strand from 3/16" to 1/2".

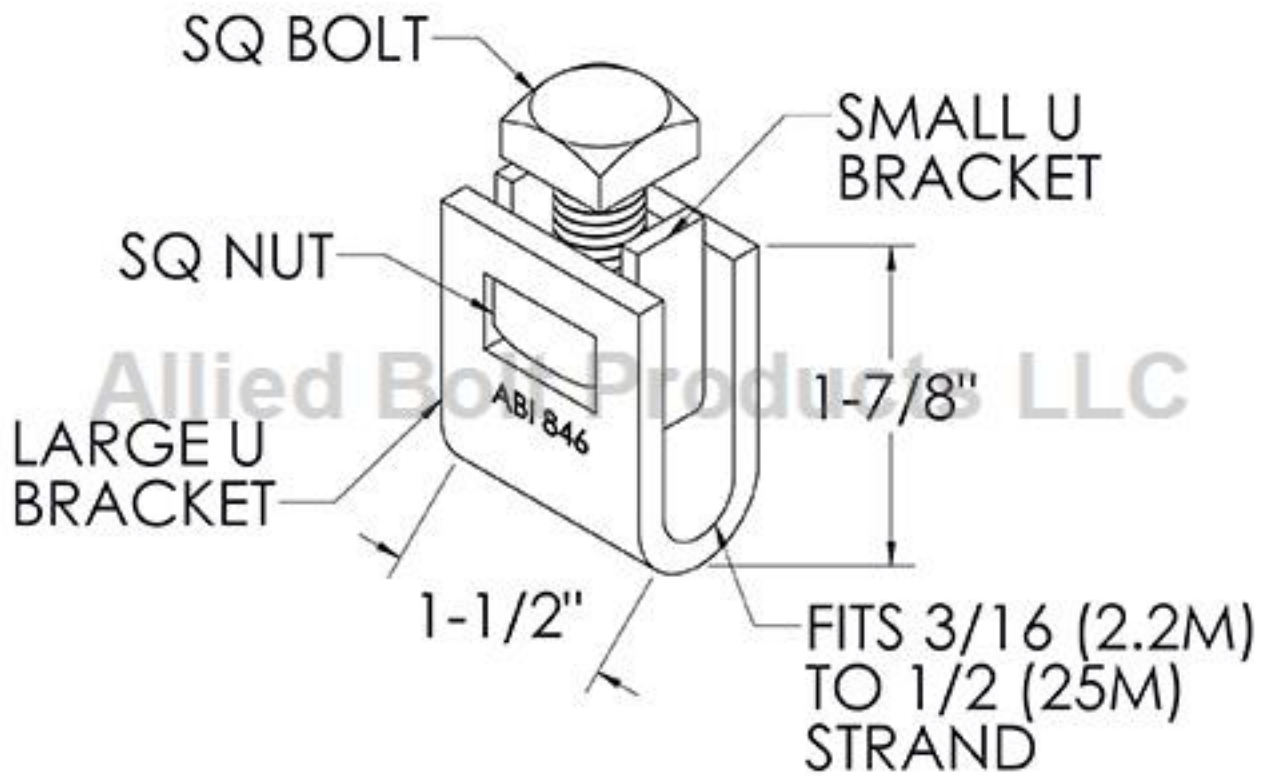
846

B STRAND GROUND CLAMP

25

4

52



June 04, 2026