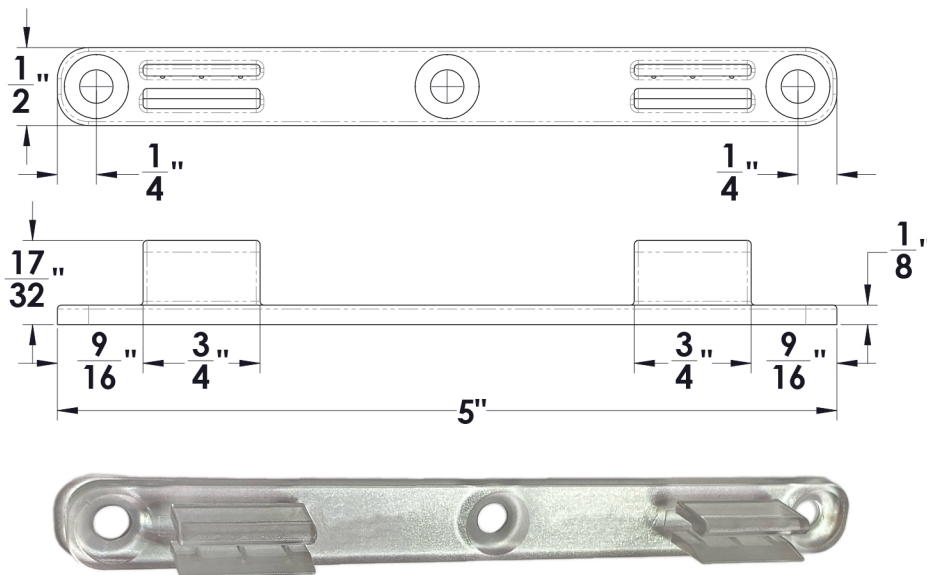


SNAP STRIP CABLE CLIPS

Product Details

- Used to secure the service drop fiber cable longitudinally to houses, buildings and other structures.
- The Snap-Strip clip facilitates the installation on any surface horizontally or vertically and reduces the number of clips used on subscriber homes.
- The Snap-Strip can be fastened with #10 tapping screws or 3/16" concrete screws.
- The Snap-Strip easily allows the fiber drop cable to snap-in securely while allowing easy removal.
- The Snap-Strip is translucent and has a low profile for aesthetics.
- #1200 Accommodates fiber cable that is approximately .210" wide and .100" thick.
- #1201 Accommodates fiber cable that is approximately .320" wide and .170" thick.
- Patent pending.
- Molded from high strength and extremely UV resistant Lexan



Part #	Pkg Qty	Pkg Per Carton	Carton Weight (lbs.)
1200	100	1	3
1201	100	1	3



For technical assistance, sample, or quote
 Please call us at (516)512-7600 or email us at orders@alliedboltinc.com

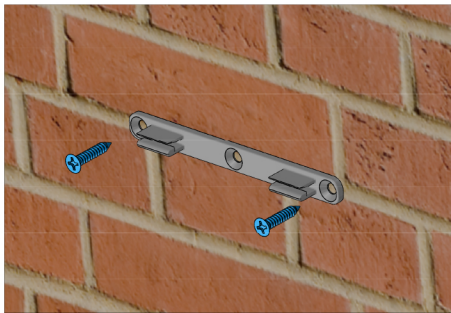
3000 Marcus Ave., Suite 3E09 Lake Success, NY 11042
 Fax: (516)512-7611 • www.alliedboltinc.com

SNAP STRIP CABLE CLIPS

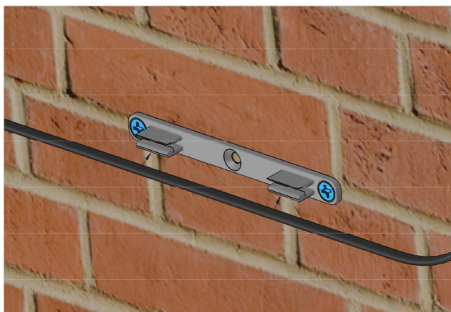
Installation



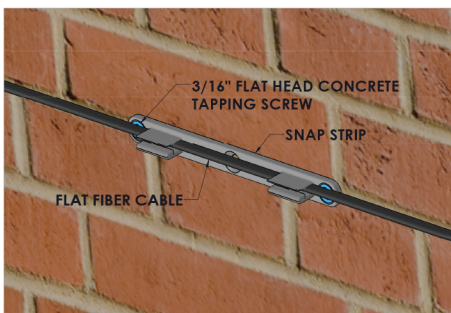
PLACE THE STRIP AT REQUIRED LOCATION ON THE WALL



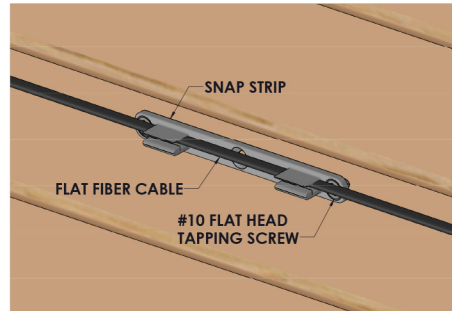
USE FLAT HEAD 3/16" CONCRETE TAPPING SCREWS TO FIX THE STRIP ON THE WALL



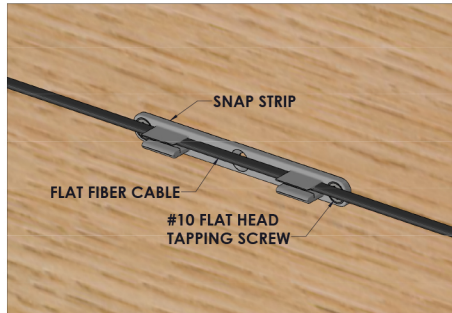
FEED THE FLAT CABLE HORIZONTALLY IN THE STRIP



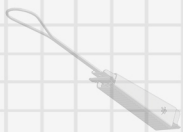
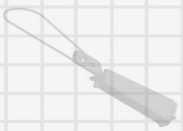
BRICK SURFACE



HOUSE SIDING SURFACE



WOOD SURFACE



For technical assistance, sample, or quote
Please call us at (516)512-7600 or email us at orders@alliedboltinc.com

3000 Marcus Ave., Suite 3E09 Lake Success, NY 11042
Fax: (516)512-7611 • www.alliedboltinc.com