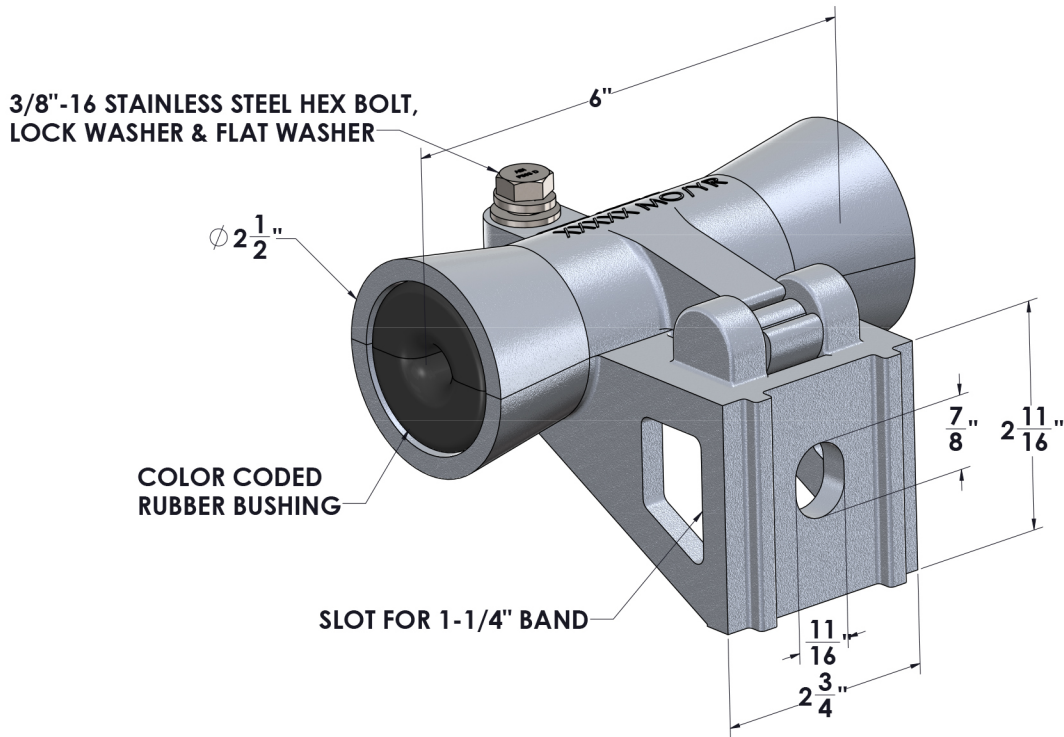


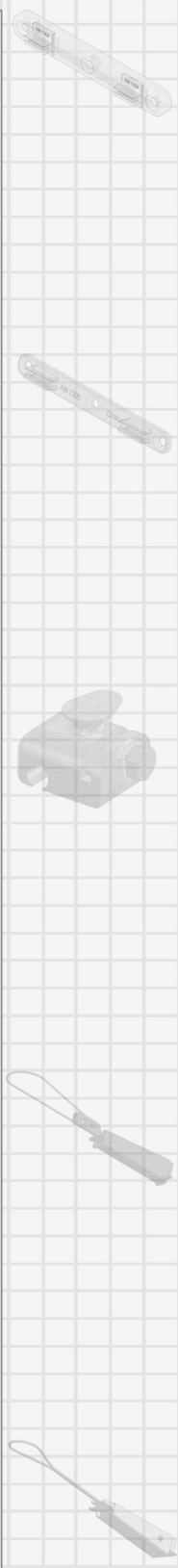
POLE MOUNTED SUSPENSION CLAMP FOR ADSS FIBER

Product Details

- Pole mounted suspension clamp for ADSS fiber is casted from high strength aluminum.
- Can be banded to concrete or fiberglass poles or fastened to a wood pole with 5/8" Square Head Machine Bolt.
- The recommended maximum line angle is 20°.
- The cushioned inserts gently grip the cable without causing damage.
- In stringing applications, the inserts can be removed and cable can rest loosely in housing.
- High strength and UV resistant rubber inserts provide longevity in all kinds of harsh environments.
- Insert ends are color coded for easy identification.



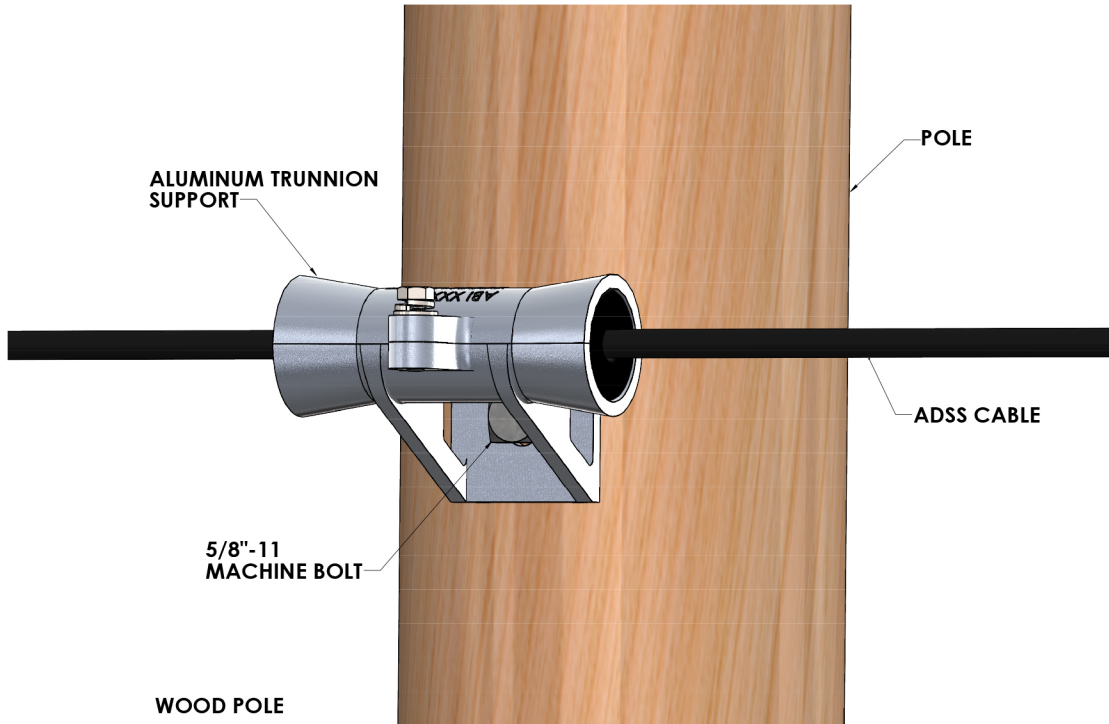
Part #	Fiber Range	Color	Carton Qty	Carton Weight (lbs.)
9700-1	.356"-.459"	BLACK	10	24
9700-3	.459"-.555"	ORANGE	10	24
9700-5	.551"-.649"	BLUE	10	24
9700-7	.649"-.748"	WHITE	10	24



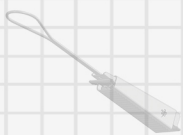
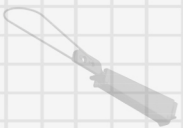
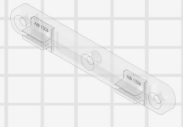
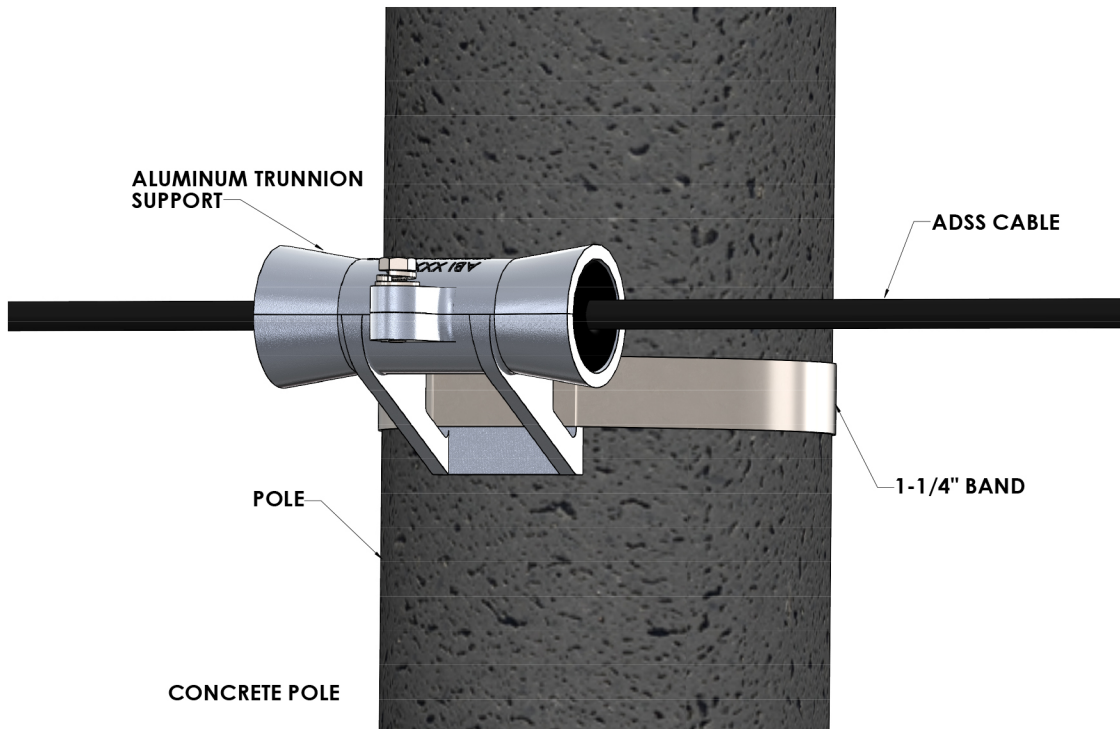
For technical assistance, sample, or quote
 Please call us at (516)512-7600 or email us at orders@alliedboltinc.com

POLE MOUNTED SUSPENSION CLAMP FOR ADSS FIBER

Installation on a Wood Pole



Installation on a Concrete Pole



For technical assistance, sample, or quote
Please call us at (516)512-7600 or email us at orders@alliedboltinc.com

3000 Marcus Ave., Suite 3E09 Lake Success, NY 11042
Fax: (516)512-7611 • www.alliedboltinc.com