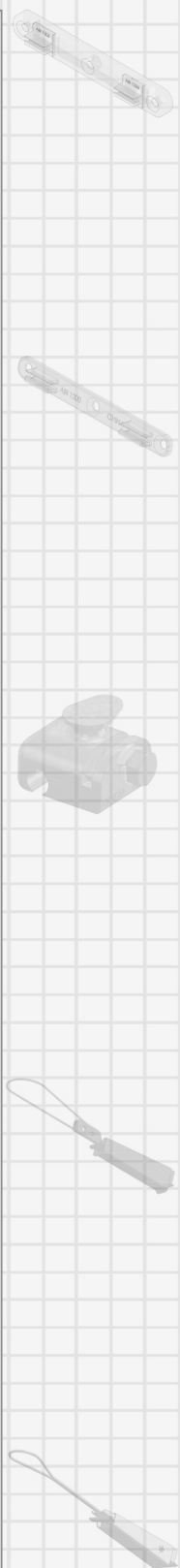
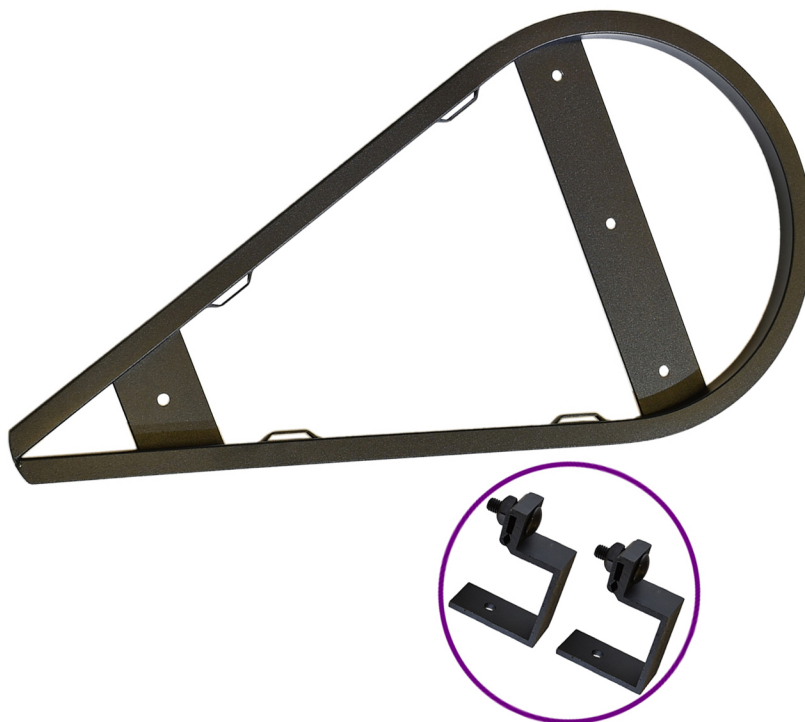


FIBER STORAGE SNOWSHOE FOR STRAND

Product Details

- Fiber Storage Snowshoes are used for storing and protecting reserve lengths of fiber in aerial lashing construction on strand.
- Constructed from high-strength Aluminum with a baked acrylic enamel finish for incredible longevity in the field.
- Tap Brackets provided are formed from extra high strength aluminum.
- Tap Brackets are powder coated for longevity.
- Cross members are robotically welded to ensure consistency and strength.
- Tie wraps slots accommodate both Stainless Steel straps and ABstraps™.
- Each kit contains two Storage Units, four Tap Brackets, and Stainless Steel hardware for mounting snowshoe on Tap Brackets.

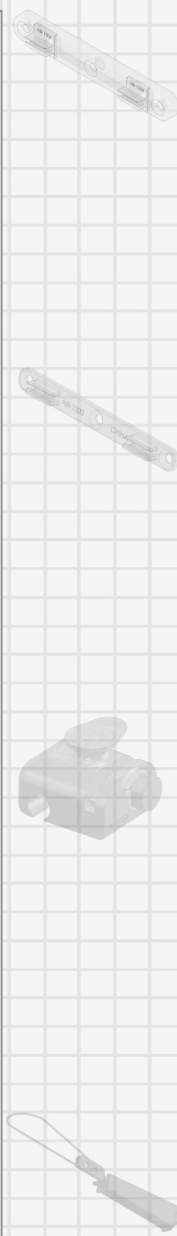
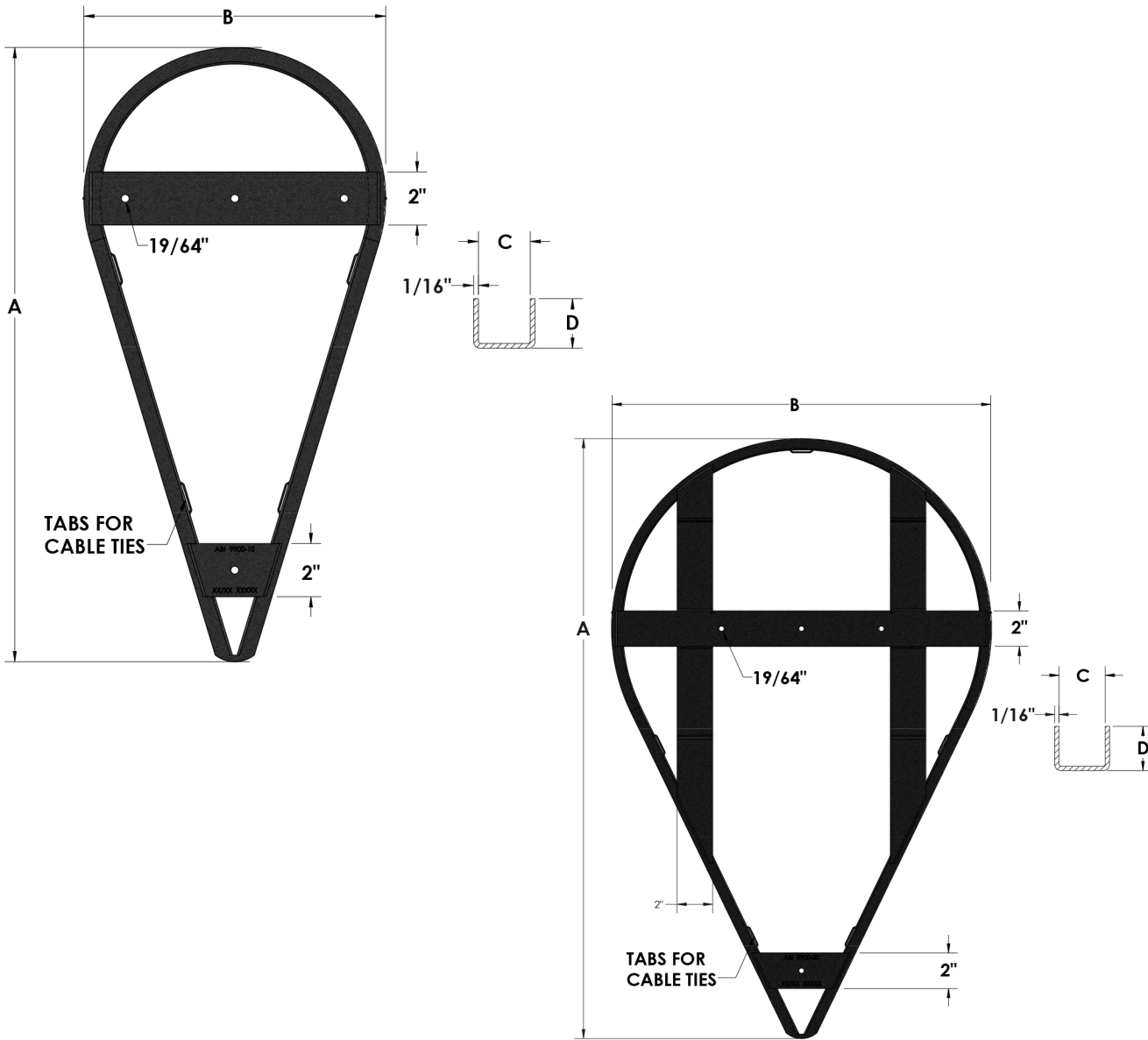


*For technical assistance, sample, or quote
Please call us at (516)512-7600 or email us at orders@alliedboltinc.com*

3000 Marcus Ave., Suite 3E09 Lake Success, NY 11042
Fax: (516)512-7611 • www.alliedboltinc.com

Copyright © 2020 Allied Bolt Products, LLC. All Rights Reserved.

FIBER STORAGE SNOWSHOE FOR STRAND



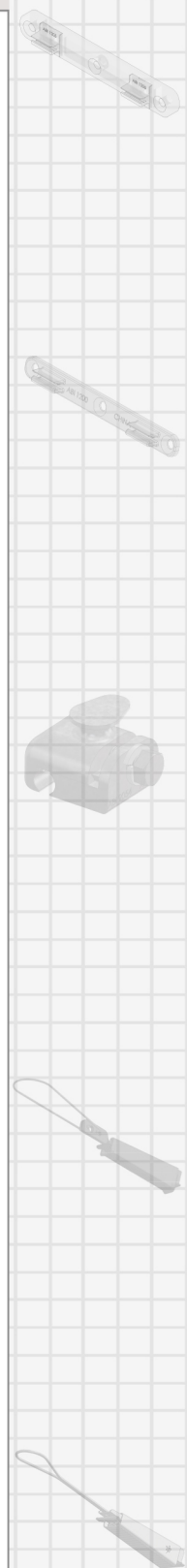
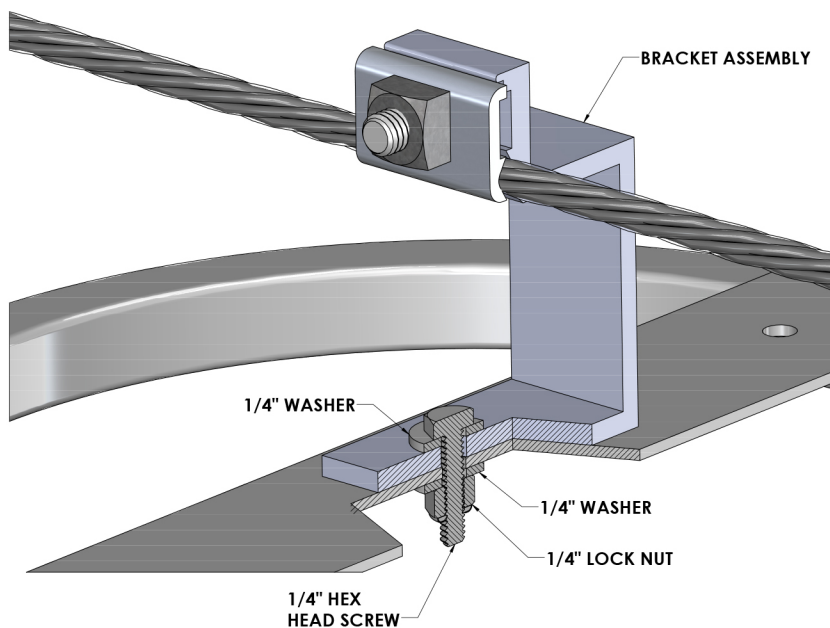
Part #	A	B	C	D	Carton Qty	Carton Weight (lbs)
9900-10	23-1/8"	11-3/8"	21/32"	5/8"	2	6
9900-12	26-1/8"	13-3/8"	21/32"	5/8"	2	6
9900-12W	26-1/8"	13-3/8"	1-1/4"	5/8"	2	7
9900-16	31-1/2"	17-3/4"	29/32"	25/32"	2	8
9900-16W	31-1/2"	17-3/4"	1-1/2"	25/32"	2	9
9900-18	32-5/8"	19-7/8"	29/32"	7/8"	2	9
9900-18W	32-5/8"	19-7/8"	1-3/4"	7/8"	2	10
9900-20	33-3/4"	21-3/8"	1-1/4"	5/8"	2	9
9900-24	33-3/4"	25-3/8"	1-1/4"	9/16"	2	10
9900-30	44-1/4"	31-3/8"	1-1/4"	9/16"	2	12

For technical assistance, sample, or quote
 Please call us at (516)512-7600 or email us at orders@alliedboltinc.com

3000 Marcus Ave., Suite 3E09 Lake Success, NY 11042
 Fax: (516)512-7611 • www.alliedboltinc.com

FIBER STORAGE SNOWSHOE FOR STRAND

Installation



For technical assistance, sample, or quote
Please call us at (516)512-7600 or email us at orders@alliedboltinc.com

3000 Marcus Ave., Suite 3E09 Lake Success, NY 11042
Fax: (516)512-7611 • www.alliedboltinc.com