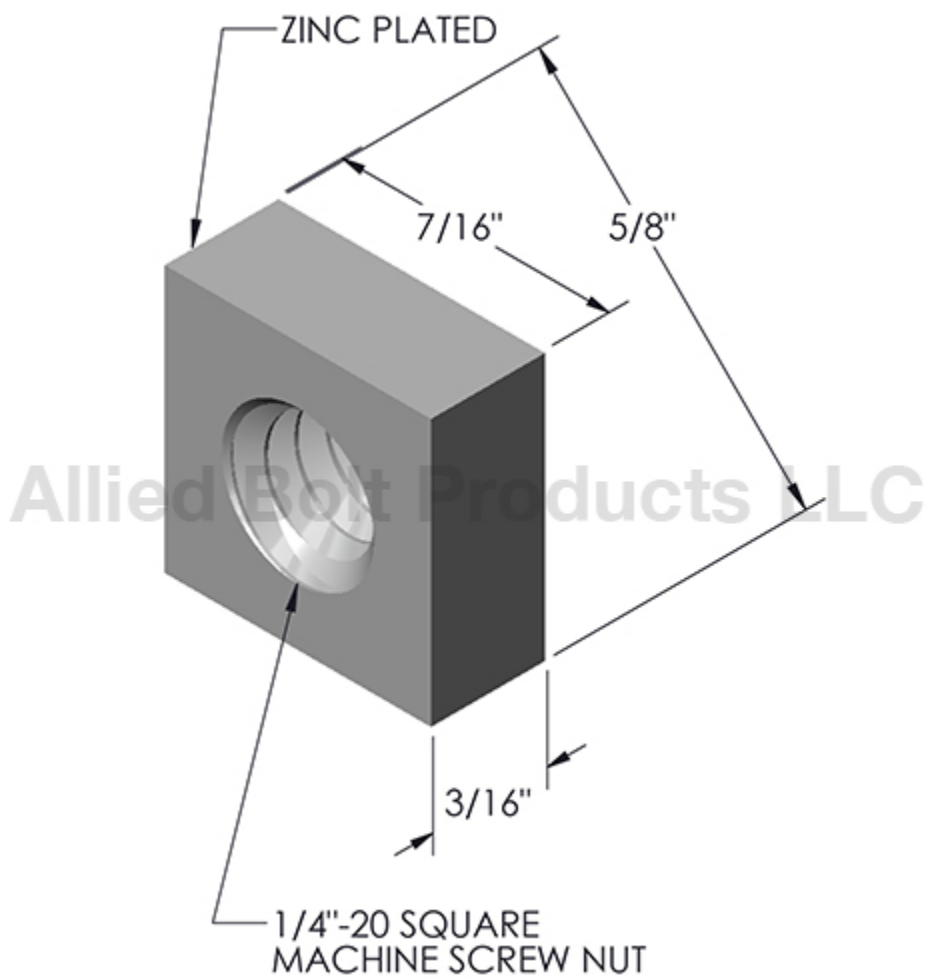




#27040

- Manufactured from Grade 2 steel.
- Offers a greater bearing surface for wrenching.
- Zinc plated to meet ASTM Specification F1941.
- Nuts conform to the dimensions of ASME B18.2.2.

27040	1/4"-20 SQUARE MACHINE SCREW NUT ZINC PLATED	100	16	13
-------	---	-----	----	----



January 10, 2025