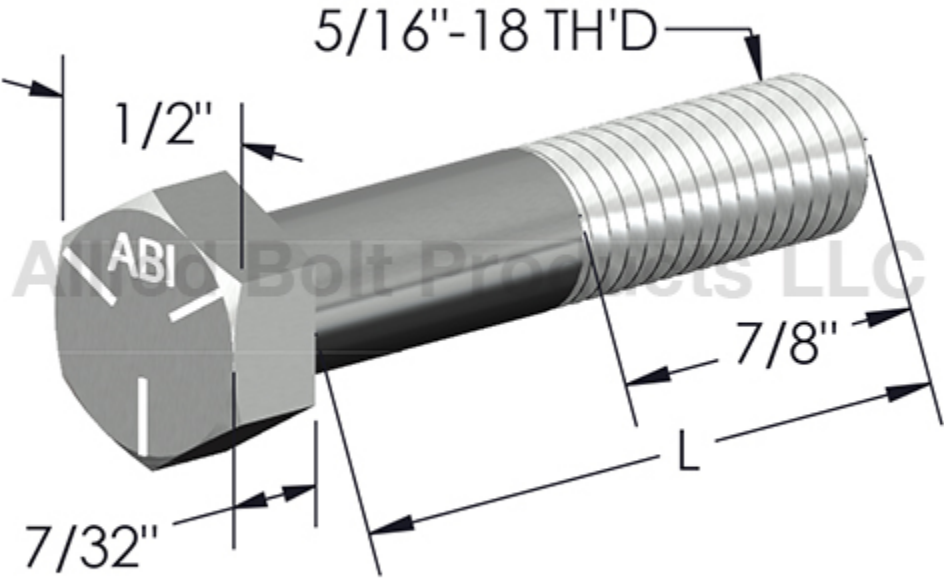




#50170

- Grade 5 bolts conform to ASTM A449 Type 1 and SAE J429 Grade 5.
- Grade 5 bolts are zinc plated to meet ASTM Specification F1941.
- Bolts conform to the dimensions of ASME B18.2.1.
- Minimum tensile strength: 6,300 lbf.
- Recommended torque value: 20.6 ft lb.
- Thread length: 7/8".

50170	5/16"-18 X 1" GRADE 5 HEX CAP SCREW ZINC PLATED	100	8	23
-------	--	-----	---	----



April 03, 2026