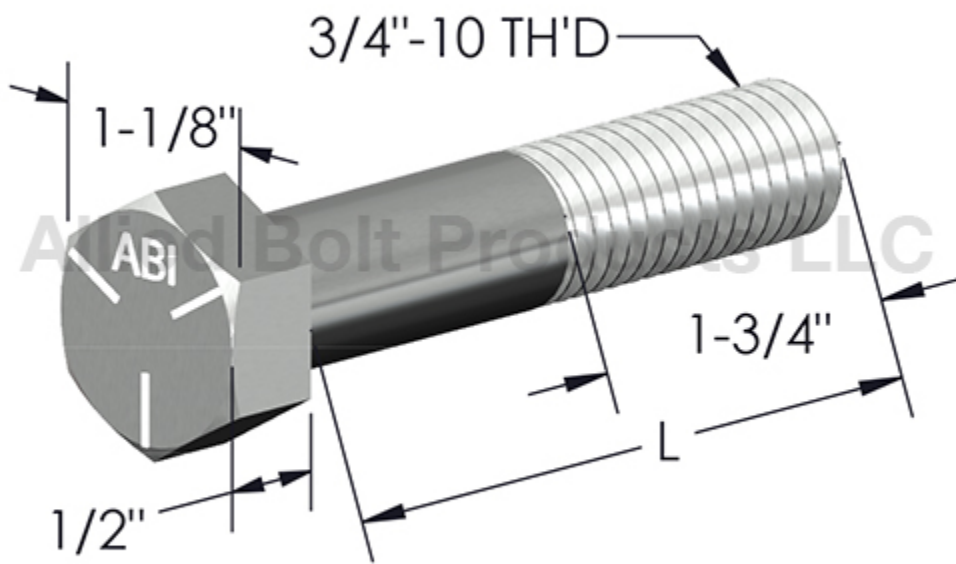




#50803

- Grade 5 bolts conform to ASTM A449 Type 1 and SAE J429 Grade 5.
- Grade 5 bolts are zinc plated to meet ASTM Specification F1941.
- Bolts conform to the dimensions of ASME B18.2.1.
- Minimum tensile strength: 40,100 lbf.
- Recommended torque value: 316.8 ft lb.
- Thread length: 1-3/4".

50803	3/4"-10 X 4-1/2" GRADE 5 HEX CAP SCREW ZINC PLATED	50	1	32
-------	---	----	---	----



July 09, 2026