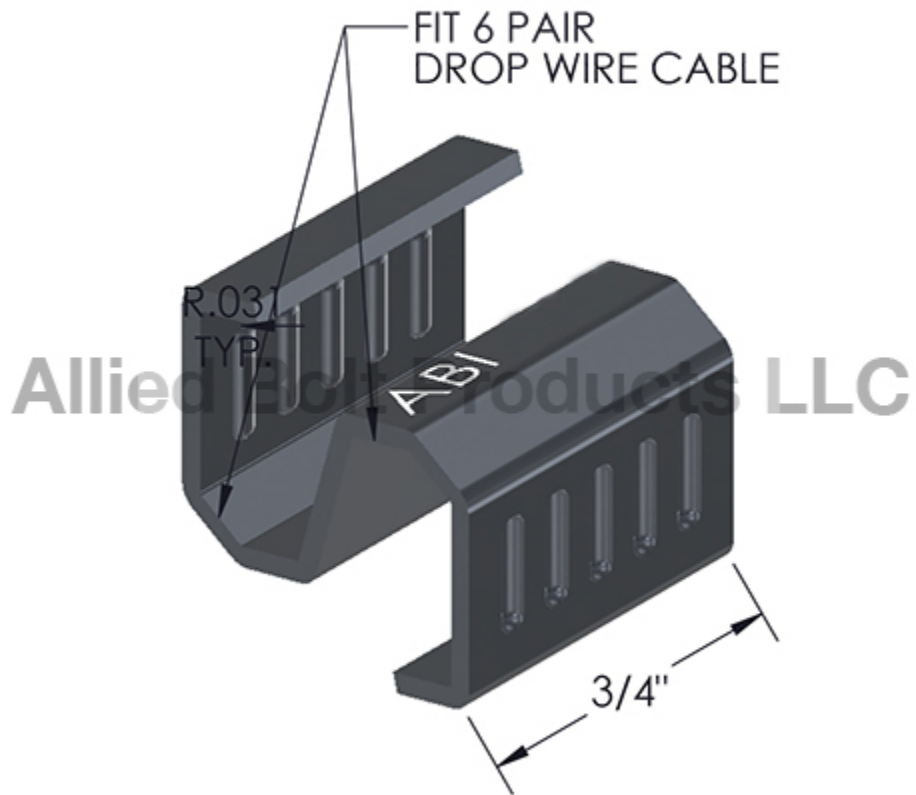




**#76991**

- Wire clips are "S" shaped one piece aluminum clips.
- In phone applications, S Clips are used to secure the drip loop at the building. In CATV applications, S Clips are used to prevent separation of the coaxial cable from the support wire.
- S Clips for CATV are smooth. S Clips for phone have perforations for providing a positive hold on the drop cable.
- Stamped from 5052 Dead-Soft Aluminum.
- Made in USA.
- Origin: Yonkers, NY

|       |  |    |    |   |
|-------|--|----|----|---|
| 76991 | SC WIRE CLIP FOR 6 PAIR DROP WIRE<br>MADE IN USA | 25 | 16 | 4 |
|-------|--|----|----|---|



December 28, 2024