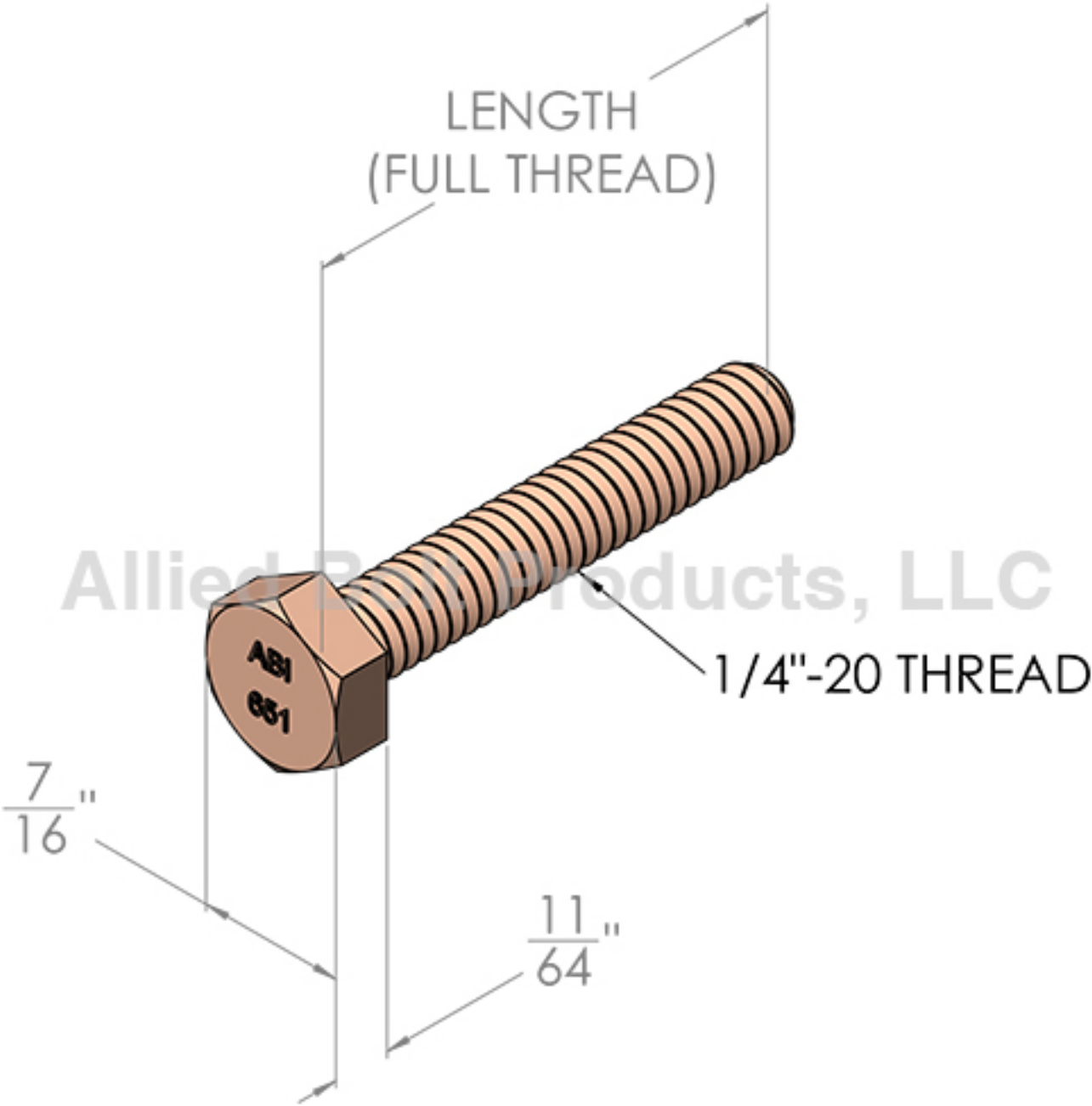




#14113

- Silicon Bronze bolts are manufactured from Alloy #651.
- Bolts conform to the dimensions of ASME B18.2.1.
- Minimum tensile strength: 2,385 lbf.
- Recommended torque value: 3.97 ft lb.
- Thread length is 3/4".

14113	1/4"-20 x 6" SILICON BRONZE HEX CAP SCREW	100	1	9
-------	--	-----	---	---



April 10, 2026