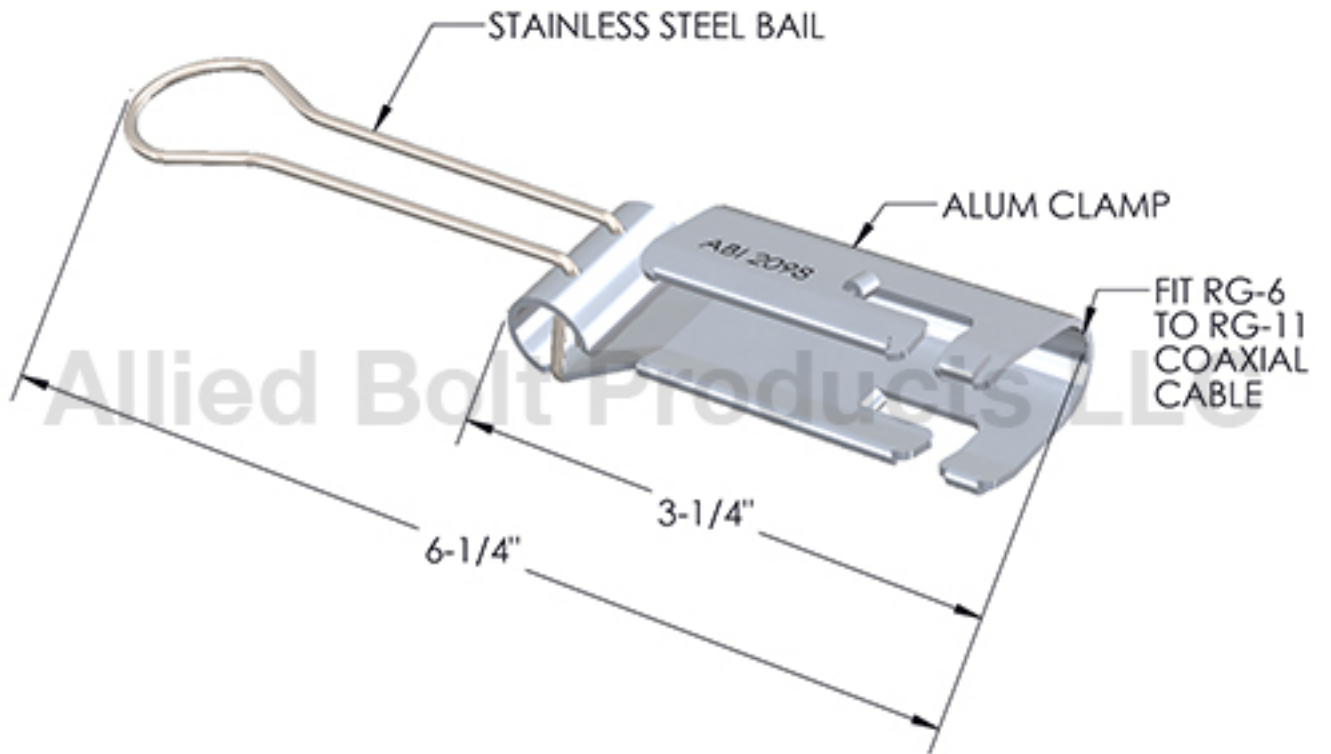




#2098

- Used for securing Figure 8 Coaxial Drop Cable to drive hooks, span clamps, and various house attachments.
- Offset curvature on clamp relieves strain on Support Wire.
- Formed from 5052 H34 Aluminum.
- Bail Wire formed from 304 Stainless Steel.

2098	ECONOMY CATV DROP WIRE CLAMP	50	1	3
------	------------------------------	----	---	---



May 29, 2026