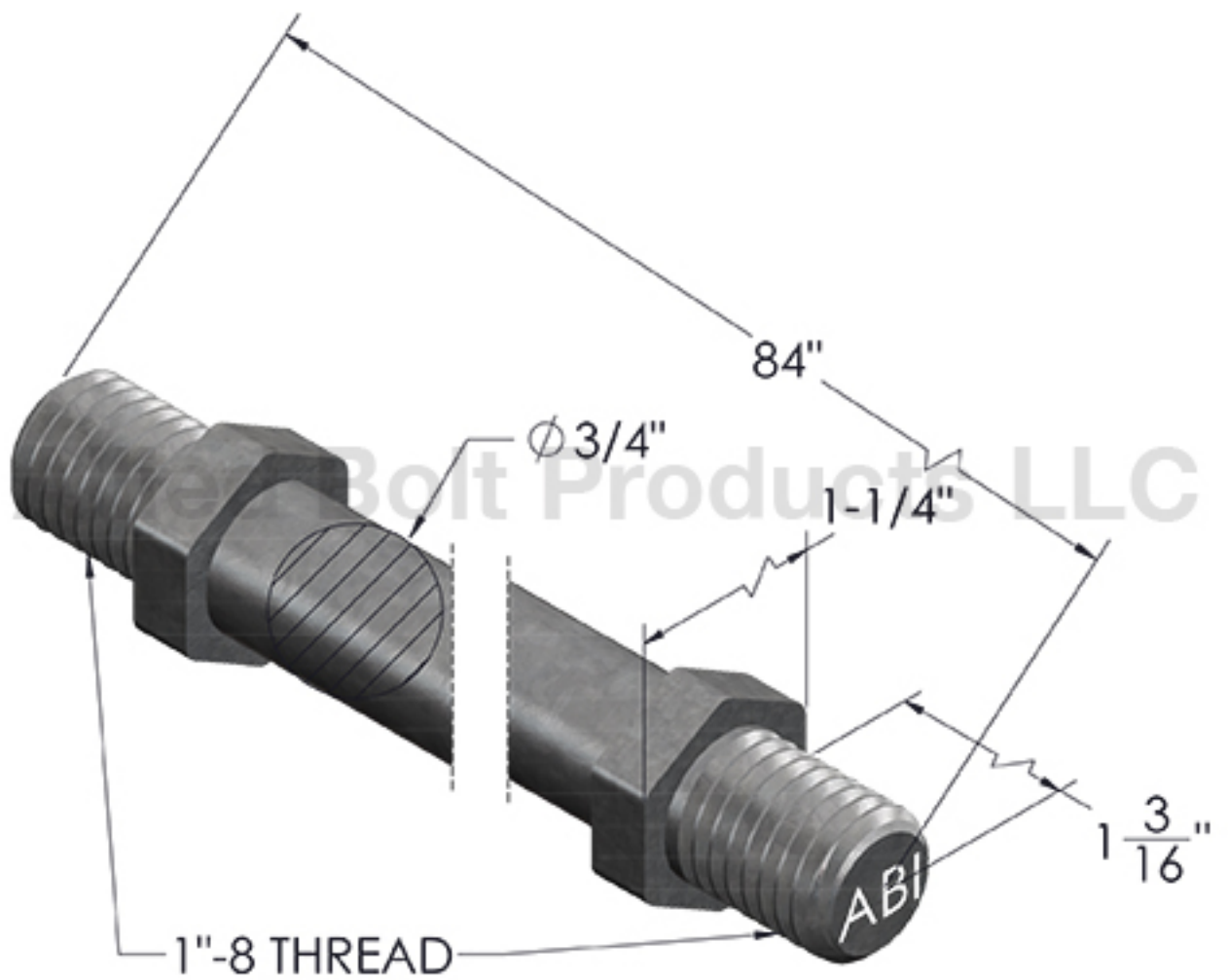




#3424

- Used in conjunction with internally tapped earth anchors and couplings or eye nuts.
- Anchor Rods are forged from AISI 1045 Steel to ensure high tensile strength.
- Hex size on opposite ends of rod is 1-1/4".
- Thread size on opposite ends of rod is 1"-8 UNC-2A.
- Minimum tensile strength is 23,000 lbs.
- Hot dip galvanized to meet ASTM Specification A123.
- Butt of Rod marked with "ABI" for identification.

3424	3/4" X 7' ANCHOR ROD FOR HELICAL ANCHORS	25	1	275
------	--	----	---	-----



June 23, 2026