



Allied Bolt Products LLC

## #3610

- Used in conjunction with internally tapped earth anchors.
- Anchor Rods are forged from AISI 1045 Steel to ensure high tensile strength.
- Minimum tensile strength is 16,000 lbs.
- Eye Nuts are forged from High Strength 1045 Steel.
- Hot dip galvanized to meet ASTM Specification A123.
- Butt of Rod marked with "ABI" for identification.

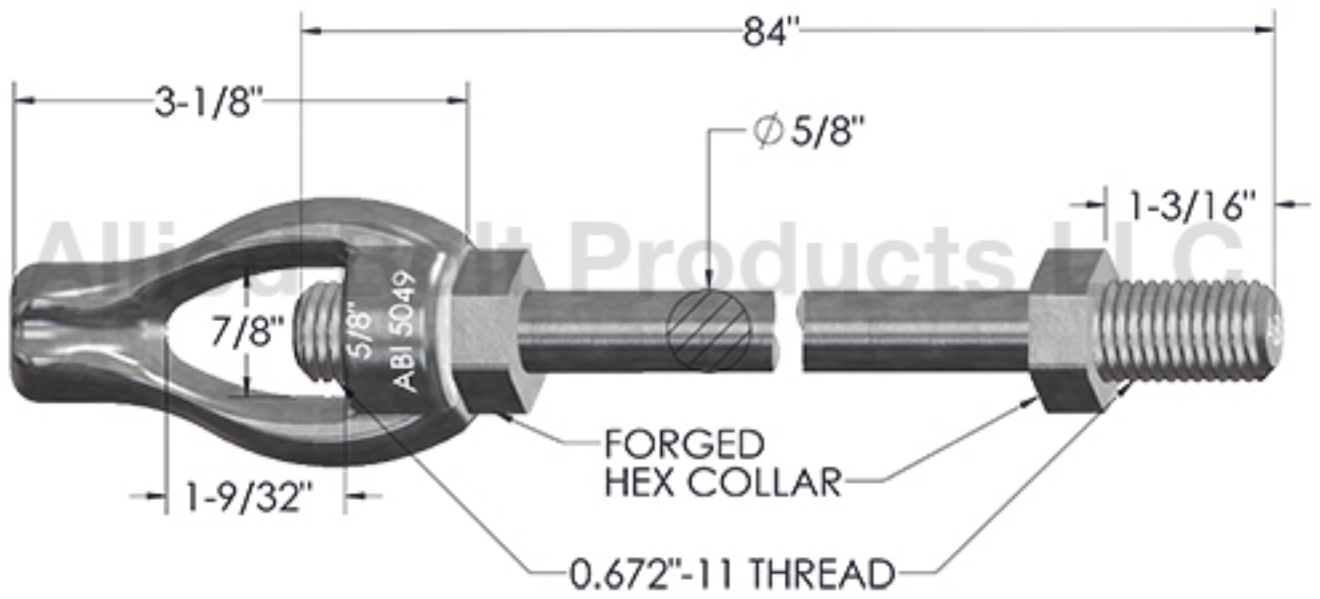
3610

5/8" X 7' ANCHOR ROD WITH  
ASSEMBLED SINGLE EYE NUT

25

1

225



May 08, 2026