



#9996

- Used in drop cable installations as an attachment to the strand for accepting the bail of Drop Wire Clamps.
- Clamp consists of a set of steel jaws, drop wire hook, square neck bolt, (2) 1/4" washers, and a stop nut.
- Attaches to messenger strand ranging in size from 1/4" (6.6M) to 7/16" (16M).
- All components are mechanically galvanized to meet ASTM Specification B695.

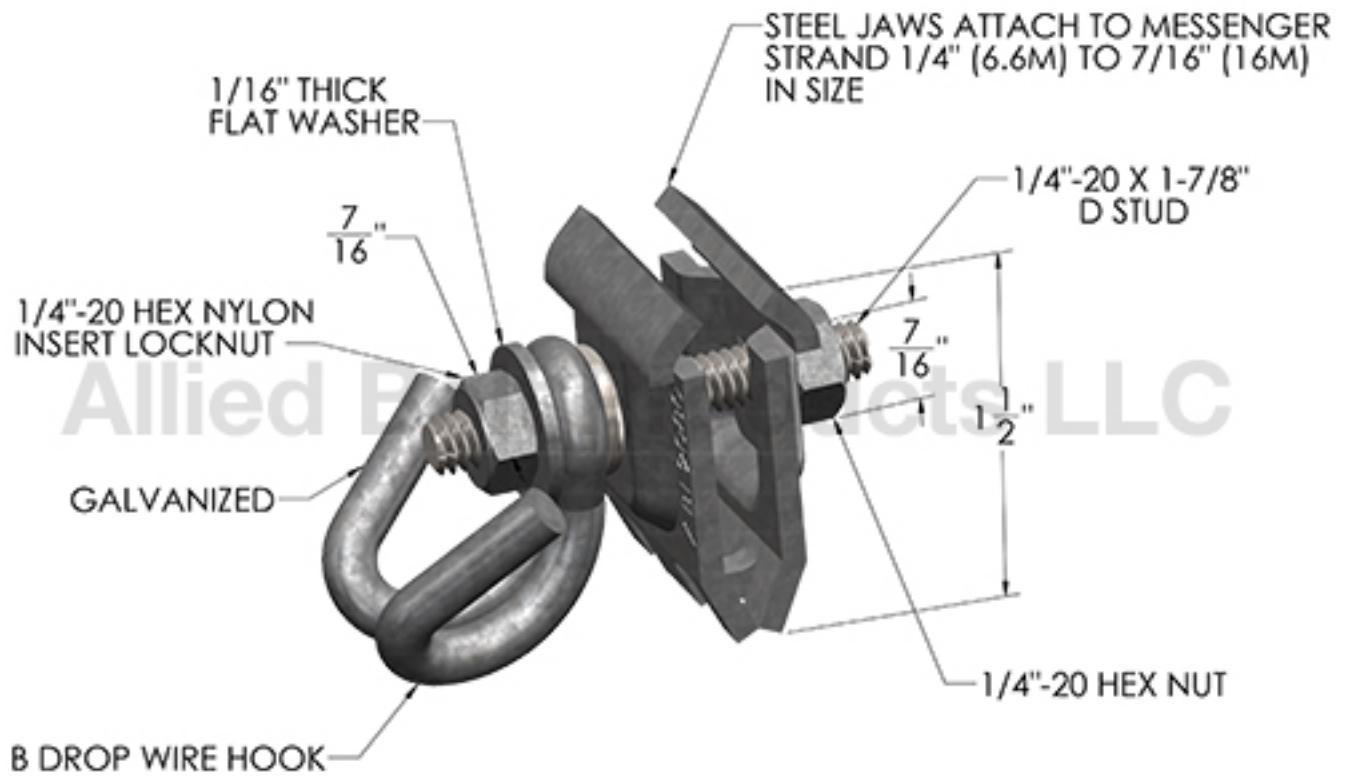
9996

RAM'S HORN SPAN CLAMP

50

1

16



May 29, 2026