



#2310

- A bugle head screw with spaced threads, extra sharp point.
- Manufactured from AISI 1018 Steel.
- Case hardened so surface has a minimum Rockwell Hardness of C44.
- Dacrotized™ to withstand a minimum of 750 hours of salt spray (ASTM B117) without exhibiting red rust.

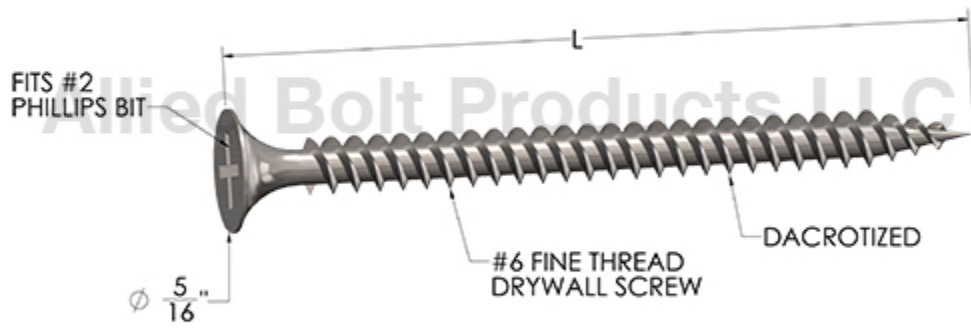
2310

#6 X 1" PHILLIP BUGLE HEAD FINE
THREAD DRYWALL SCREW

100

40

14



December 13, 2025