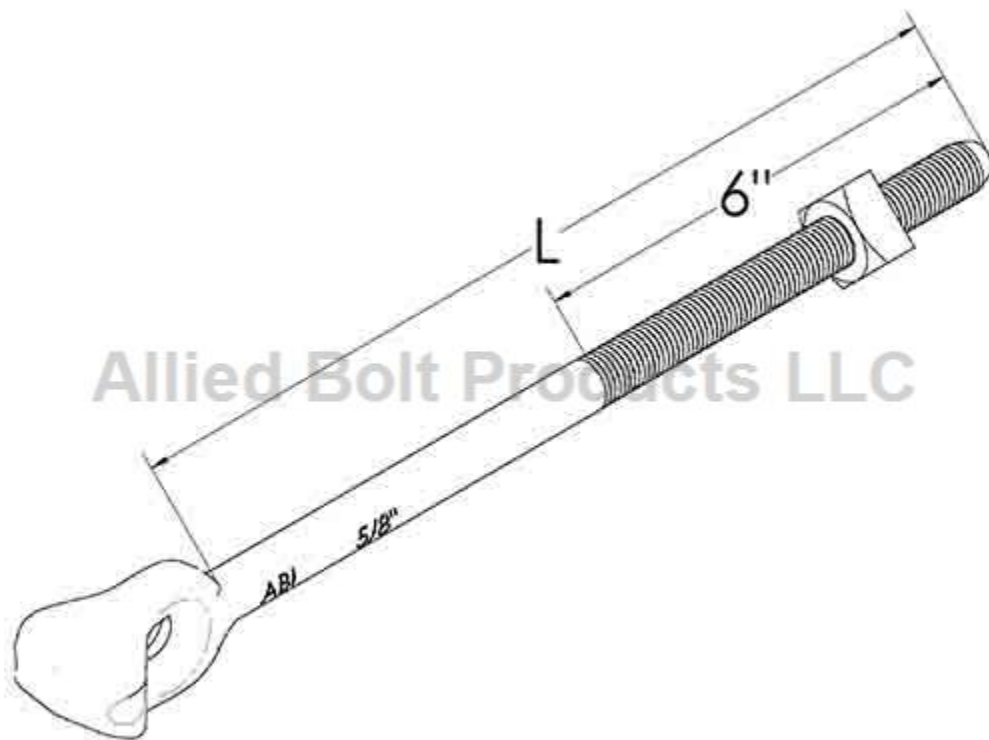




#775807

- Used for dead-ending and attaching guy wires to poles and crossarms.
- Manufacture's marking (ABI) appears on unthreaded section of each bolt and is registered with the U.S. Patent Office per the Fastener Insignia Act.
- Allied Bolt marking (ABI) appears on each bolt.
- Supplied with cone point to ease assembly with nut.
- Supplied with an attached square nut.
- Recommended torque value: 130 ft lb.
- Minimum Tensile Strength: 20,050 lbf.

775807	5/8" X 14" STRAIGHT GUY BOLT - TDG	25	1	44
--------	------------------------------------	----	---	----



June 02, 2026